



# CHESAPEAKE BAY SEPTIC TANK, LLC

Septic Installers' Local Distributor for Monarch Products Co. Inc.  
Precast Concrete Products

## U. S. GALLONS IN ROUND TANKS

For One Foot in Depth

Dia. of Tanks	No. U. S. Gals.	Cu. Ft. and Area in Sq. Ft.	Dia. of Tanks	No. U. S. Gals.	Cu. Ft. and Area in Sq. Ft.	Dia. of Tanks	No. U. S. Gals.	Cu. Ft. and Area in Sq. Ft.
1 ft.	5.87	.785	5 ft. 8 in.	188.86	25.22	19 ft.	2120.90	283.53
1 1 in.	6.89	.922	5 9	194.25	25.97	19 3 in.	2177.10	291.04
1 2	8.	1.069	5 10	199.92	26.73	19 6	2234.	298.65
1 4	9.18	1.227	5 11	205.67	27.49	19 9	2291.70	306.35
1 6	10.44	1.396	6 3	211.51	28.27	20 3	2350.10	314.16
1 8	11.79	1.576	6 6	229.30	30.68	20 6	2409.20	322.06
1 10	13.22	1.767	6 9	248.23	33.18	20 9	2469.10	330.06
1 12	14.73	1.969	6 12	267.69	35.78	21 3	2529.60	338.16
1 14	16.32	2.182	7 3	287.88	38.48	21 6	2591.	346.36
1 16	17.99	2.405	7 6	308.81	41.28	21 9	2653.	354.66
1 18	19.75	2.640	7 9	330.48	44.18	22 3	2715.80	363.03
1 20	21.58	2.883	7 12	352.88	47.17	22 6	2779.30	371.54
2 1	23.50	3.142	8 3	376.01	50.27	22 9	2843.60	380.13
2 2	25.50	3.409	8 6	399.55	53.46	23 3	2908.60	388.82
2 3	27.58	3.687	8 9	424.48	56.75	23 6	2974.30	397.61
2 4	29.74	3.976	8 12	449.82	60.13	23 9	3040.80	406.49
2 5	31.99	4.276	9 3	475.89	63.62	24 3	3108.	415.48
2 6	34.31	4.587	9 6	502.70	67.20	24 6	3175.90	424.56
2 8	36.72	4.909	9 9	530.24	70.88	24 9	3244.60	433.74
2 10	39.21	5.241	9 12	558.51	74.66	25 3	3314.	443.01
2 12	41.78	5.583	10 3	587.52	78.54	25 6	3384.10	452.39
2 14	44.43	5.940	10 6	617.26	82.52	25 9	3455.	461.86
2 16	47.16	6.305	10 9	647.74	86.59	26 3	3526.60	471.44
2 18	49.98	6.681	10 12	678.95	90.76	26 6	3598.90	481.11
3 1	52.88	7.069	11 3	710.90	95.03	26 9	3672.	490.87
3 2	55.86	7.467	11 6	743.58	99.40	27 3	3745.80	500.74
3 3	58.92	7.876	11 9	776.99	103.87	27 6	3820.30	510.71
3 4	62.00	8.296	11 12	811.14	108.43	27 9	3895.60	520.77
3 5	65.28	8.727	12 3	846.03	113.10	28 3	3971.60	530.93
3 6	68.58	9.168	12 6	881.65	117.88	28 6	4048.40	541.19
3 7	71.97	9.621	12 9	918.	122.72	28 9	4125.90	551.55
3 8	75.44	10.085	12 12	955.09	127.68	29 3	4204.10	562.
3 9	78.99	10.559	13 3	992.91	132.72	29 6	4283.	572.66
3 10	82.62	11.045	13 6	1031.50	137.89	29 9	4362.70	583.21
3 11	86.33	11.541	13 9	1070.80	143.14	30 3	4443.10	593.96
3 12	90.13	12.048	13 12	1110.80	148.49	30 6	4524.30	604.81
4 1	94.	12.566	14 3	1151.50	153.94	30 9	4606.20	615.75
4 2	97.96	13.093	14 6	1193.	159.48	31 3	4688.80	626.80
4 3	102.	13.635	14 9	1235.30	165.13	31 6	4772.10	637.94
4 4	106.12	14.186	14 12	1278.20	170.87	31 9	4856.20	649.18
4 5	110.32	14.748	15 3	1321.90	176.71	32 3	4941.	660.52
4 6	114.61	15.321	15 6	1366.40	182.65	32 6	5026.60	671.96
4 7	118.97	15.905	15 9	1411.50	188.69	32 9	5112.90	683.49
4 8	123.42	16.500	16 3	1457.40	194.83	33 3	5199.40	695.13
4 9	127.95	17.106	16 6	1504.10	201.06	33 6	5287.70	706.86
4 10	132.56	17.724	16 9	1551.40	207.39	33 9	5376.20	718.69
4 11	137.25	18.354	16 12	1599.30	213.82	34 3	5465.40	730.62
4 12	142.02	18.999	17 3	1648.40	220.35	34 6	5555.40	742.64
5 1	146.85	19.637	17 6	1697.90	226.98	34 9	5646.10	754.77
5 2	151.72	20.299	17 9	1748.20	233.71	35 3	5737.50	766.99
5 3	156.63	20.977	17 12	1799.30	240.53	35 6	5829.70	779.31
5 4	161.63	21.65	18 3	1851.10	247.45	35 9	5922.60	791.73
5 5	167.12	22.34	18 6	1903.60	254.47	36 3	6016.20	804.25
5 6	172.38	23.04	18 9	1956.80	261.59	36 6	6110.60	816.86
5 7	177.72	23.76	18 12	2010.80	268.80	36 9	6205.70	829.58
5 8	183.15	24.48	19 3	2065.50	276.12	37 3	6301.50	842.39

31 1/2 Gallons equal 1 Barrel.

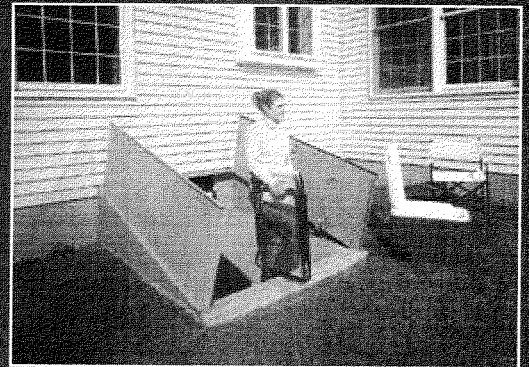
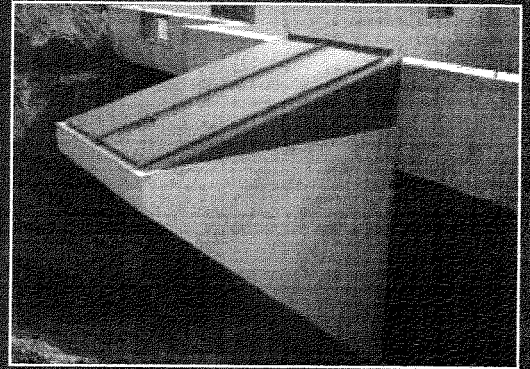
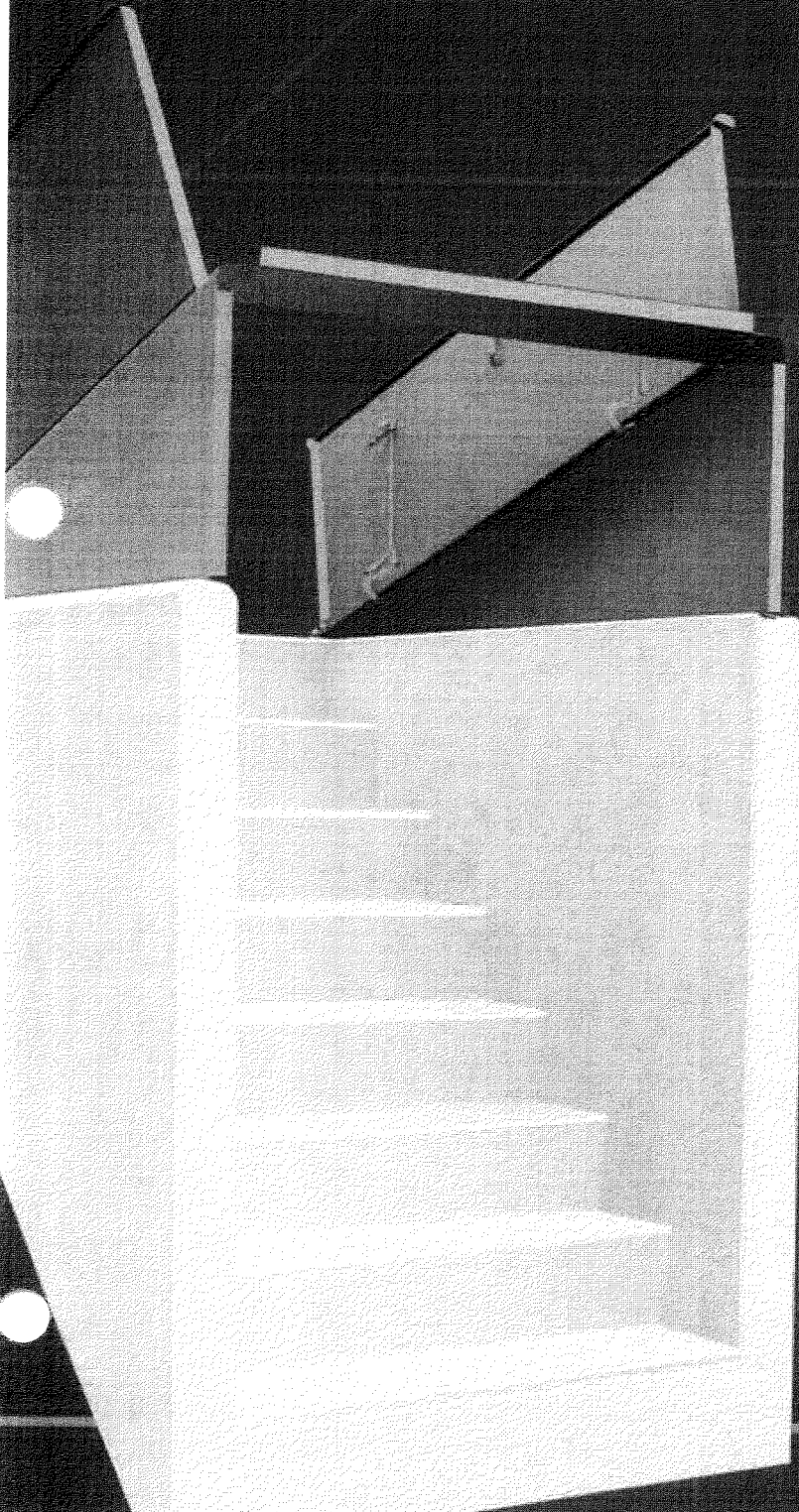
To find the capacity of tanks greater than the largest given in the table, look in the table for a Tank of one-half of the given size and multiply its capacity by 4, or one of one-third its size and multiply its capacity by 9, etc.

## CONVERSION TABLE FOR ROUND TANKS

DWG. CT-1

# PermEntry®

*The Complete Basement Entrance*



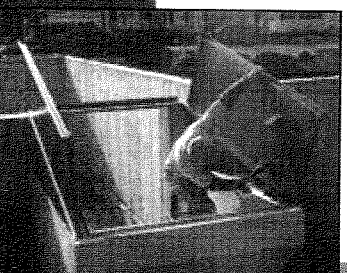
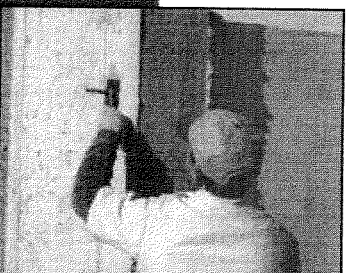
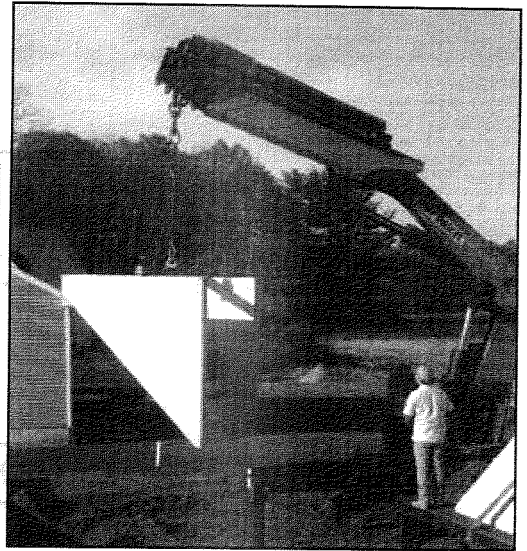
**Bilco®**

**Imagine...**  
*What Bilco can do for your basements*

# Plan for it on New Homes

The PermEntry Basement Entrance adds sales appeal and value by giving homeowners access directly from the basement to the outdoors. When you plan for a PermEntry Basement Entrance, you open up your basement to a number of opportunities, including:

- o External basement exit in case of an emergency.
- o Access to mechanical equipment during construction, reducing traffic and damage to the main level of the home.
- o Ability to move large furniture, bulky appliances and patio furniture easily through the basement.
- o Additional quality selling features your customers will recognize and appreciate.
- o A basement as convenient and easy to use as other rooms in the home.



## You supply the foundation opening... PermEntry does the rest!

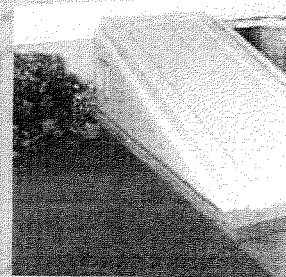
- o Holes for the special high-strength bolts are drilled through foundation.
- o Facing surfaces are coated with self-sealing butyl resin strip sealant for a watertight seal. The PermEntry precast stairwell is then lowered into position onto the foundation footing.
- o Precast stairwell is secured prior to backfill through foundation wall using built-in steel anchors. On a block or precast foundation, a permanent steel support is installed on a concrete slab underneath the precast unit.
- o The Bilco door is anchored to the precast stairwell and caulked. The area is then backfilled and landscaped. For steel doors, a finish coat of alkyd metal enamel in a light color must be applied to all metal surfaces inside and out. **DO NOT USE AN OIL BASE WOOD PAINT.**

The complete installation of the precast stairwell and door is typically done in under two hours.

N pef rll pn f !Qsphsn ljt !bwbjrbcrfi/  
Tf f !x x x /cjrtp/dpn !gsl'n psl !jogpsn bujpo

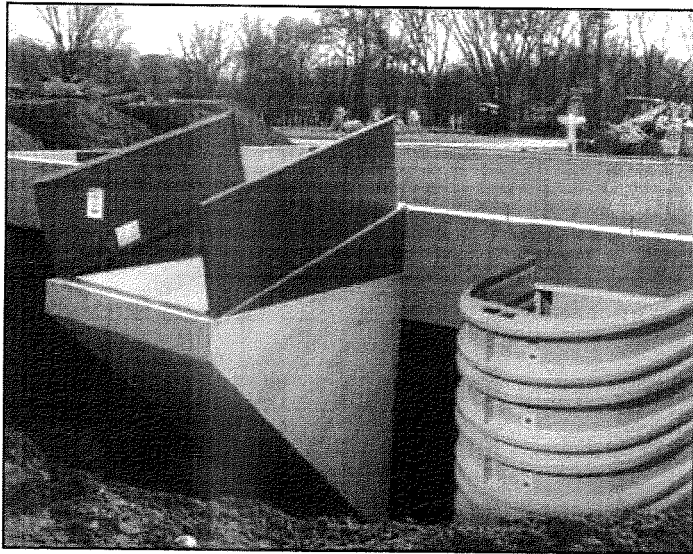
## Ultra Basement

PermEntry is also available as a Basement door. The Ultra S is an alternative to the traditional



### Features:

- o High-density polyethylene resists rust, rot or needs painting
- o Attractive wood design
- o Gas spring lift assistance
- o Sturdy inside locking mechanism
- o Interchangeable side panel for ventilation



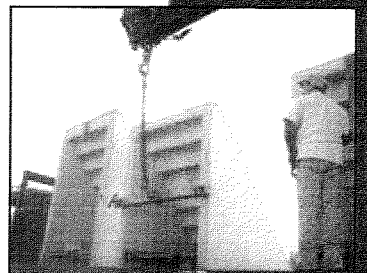
Whether you specify PermEntry for your new home or add it to your existing home, you'll enjoy these benefits...

- ó Convenient direct basement access
- ó Building code compliance for emergency egress (IRC 2006)
- ó Professional installation by a certified dealer
- ó Added sales appeal for your home

## Add it to Existing Homes

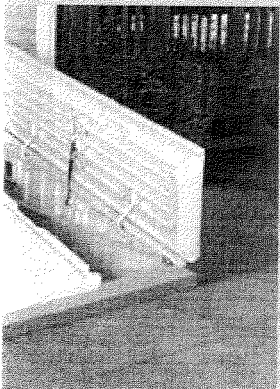
Homeowners can add the convenience of direct basement access by following these simple steps...

- ó Contact a PermEntry dealer to determine if your home is suitable for a PermEntry installation.
- ó Stake off the area to be excavated. Call your local utility companies to verify power and utility line locations.
- ó Hire an excavating or landscaping contractor to dig the opening for the precast stairwell (see back panel for opening requirements)
- ó Contact a contractor to saw cut an opening in your foundation wall. Your PermEntry dealer can help you find a contractor.
- ó Ask your PermEntry dealer for help on determining the proper size of your areaway and to set up delivery and installation.
- ó Once the entrance has been installed, back-fill and landscape the area around your new basement entrance. The basement door is supplied with instructions for painting and maintenance.



### Series r+ Door

Available with the Ultra Series Series is a maintenance-free precast steel basement door.



...ne construction never  
...ing

...nism  
...nel inserts for light

# PermEntry

The Complete Basement Entrance

## A PermEntry® Unit for Every Home

### Pre-Installation Requirements:

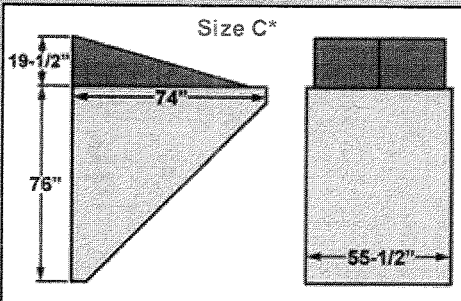
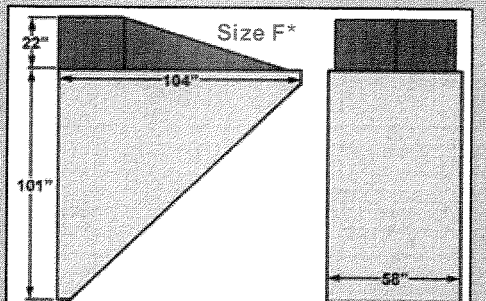
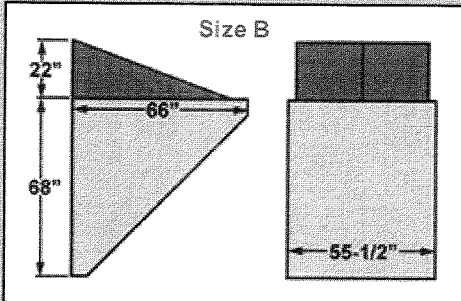
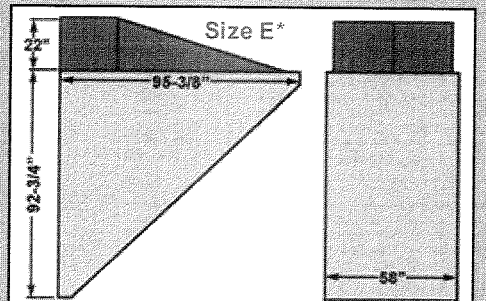
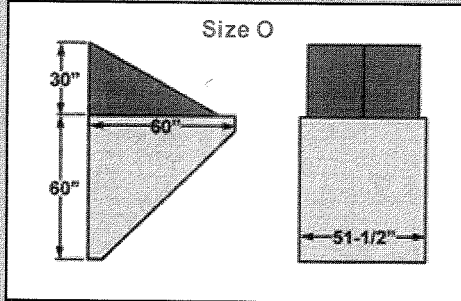
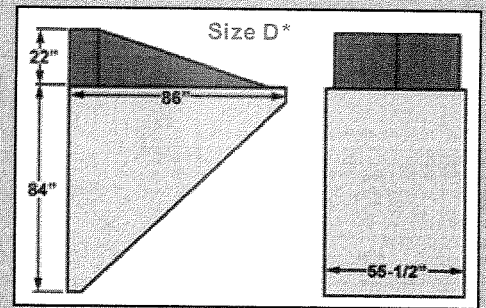
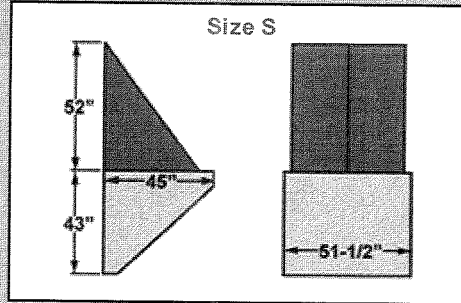
- 2/! Qpwyef lusvdi lbdidf t!luplx ju jo!21!pgu f !!  
! d f ouf spgu f !G sn Fouzlvouj!!
- 3/! Qvoebjpo!ppjoh!boelpqf ojh!ti pvralf!  
! cf !NFVMI!QV/N Cboe!TRVBSF/
- 4/! Xjeu lpgpqf ojh!jo!gvoebjpolx brn  
! ti pvralcf !51 fln byjn vn lps brn!{f t/
- 5/! Fotvs lqspqf stpjt!esbjohf !lucbctf lpgvoju!!  
! Blppjoh!esjoh!lup!ebzjhi !j!t!sf dpn n f oef e/
- 6/! When foundation is backfilled, leave  
! n jojn vn !x ps l!sf blps!G sn Fouz!!  
! jotubntjpo!bt!ti px o/
- 7/! Basement floor or equivalent slab should !  
! cf lqpvf eljolu f ldpods f !x brn
- 8/! l pre!gvoebjpo!ubsd!pbjoh!lcbdi !  
! n jojn vn !23ñf bdi !tjef !pgpqf ojh/

### How to Measure:

- 2/! Ef uf sn jof lu f !n f btvs n f ougpn lu f !!  
! finished !hsbef luplu f !gvoebjpo!ppjoh/
- 3/! S' g slup!ucbrcf !px !up!tf rhd!lqspqf stj!{f /!!  
! Lp!pgdbtjoh!ti pvralcf !bln jojn vn lpg!  
! 2" above finished grade.
- 4/! Epvcf!di f d !zpvstqf !jotubntjpo!!  
! s' r vjfs n f out!boe!di f d !tjef !up!ef uf sn jof !!  
! u bulu f sf !jt!lqspqf slusvdi !bdidf t!lup!boe!!  
! gpn lu f !G sn Fouz!jotubntjpo!tjuf /

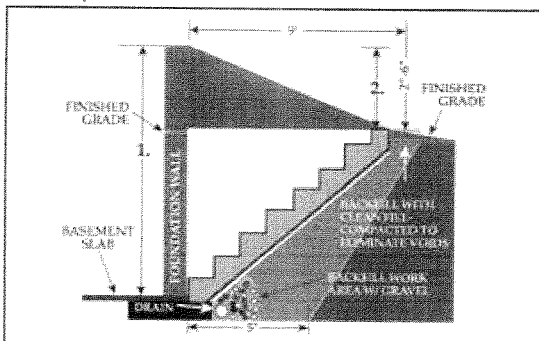
### Post-Installation Requirements:

- 2/! Properly backfill and compact excavation  
! with clean, suitable fill and/or stone. !  
! OFWS!VTF!DP OTUS!VDUP O!E!FCSJ!boe!!  
! NEVER backfill higher than 2" below top !  
! pgdpods f !dbtjoh/
- 3/! Gobrn!hsbef !ti pvralcf !bekvtf elup!rhwf !!  
! 2"-6" of casting above finished grade, !  
! jn n f e!juf rzt!r!qf !hsbef !bx bz!gpn lu f !!  
! G sn Fouzlvouj!bntjef d!jpot/
- 4/! Bxpjelpdbjoh!lpx o!tqpv!t!pstv n q!!  
! ejtdi bshf lof bsu f !G sn Fouzlvouj/
- 5/! Bo!jot v!r!uf eleppsbucpupn !pgt!ubstj!t!  
! sf dpn n f oef el!p!sf evd! !f bulrpt/
- 6/! A finish coat of alkyl metal enamel in a !  
! gni! udpp!sn vtucf !baqni!el!up!brn f ubrth  
! tvspdf !tjotjef !boelpvu!EP !OP !UVTF!BO!!  
! P !MCOBTFX PPE!CB,OU

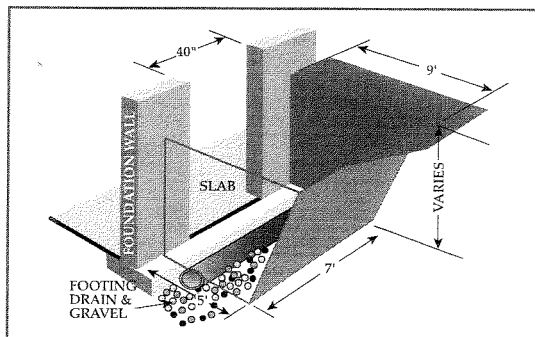


G sn Fouz!Tj(f	Gppjoh!tp!hsbef
T	46ñ! !52ñ
P	63ñ! !69ñ
C	6: ñ! !77ñ
D+	78ñ! !85ñ
E+	86ñ! !93ñ
F+	94ñ! !: 2ñ
G	: 3ñ! !: : ñ

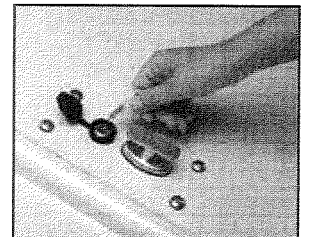
### Job Requirements



### How to Order



#P qppobrtv!rsh!TF sf !E!ppst  
bwjbr!rc!rnt!gstj!f t!D!E!F!boe!Gporz/



Bo!ppqjpbortc!btf n f o!depps!  
! f zf el!rpd! ! jujt!bwjbr!rc!rnt!  
gtsbeef el! pn f !tf dvjuz/



Imagine...  
What Bilco can do for your basements  
(911)\*965.: 835!6lx x x !cjr!dp/dpn

Licensed Dealer